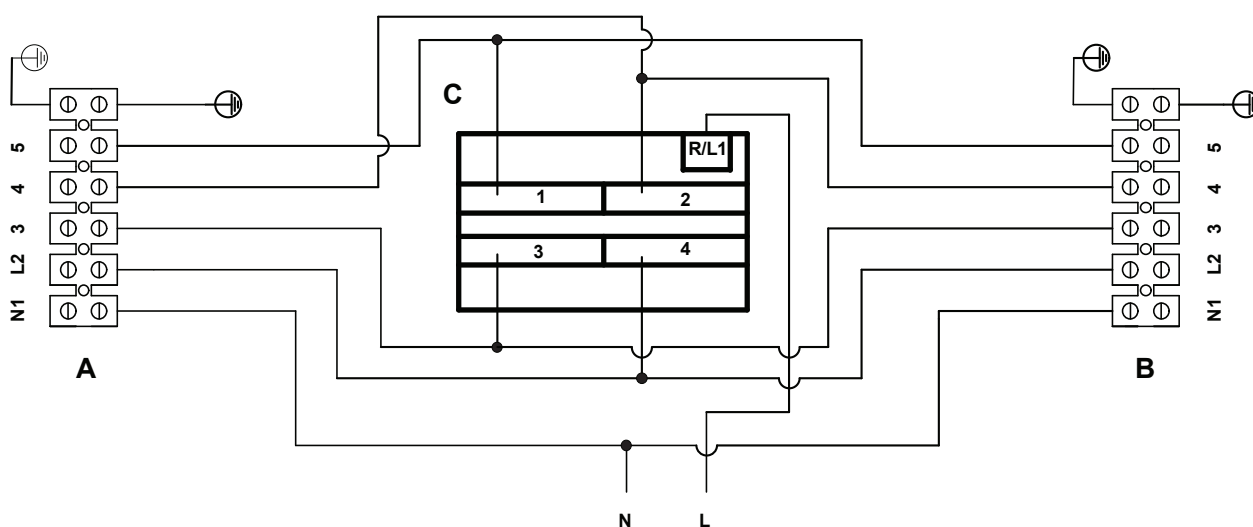


# SCHEMA COLLEGAMENTO ELECTRICAL CONNECTION



## C4VM16



COD. 5.471.084.167

13/01/2015

VORTICE LIMITED  
Beeches House - Eastern Avenue  
Burton on Trent  
DE13 0BB  
Tel. (+44) 1283-492949  
Fax (+44) 1283-544121  
UNITED KINGDOM

VORTICE FRANCE  
15-33, Rue Le Corbusier  
CS 30007  
94046 Creteil Cedex  
Tel. (+33) 1-55.12.50.00  
Fax (+33) 1-55.12.50.01  
FRANCE

VORTICE ELETTROSOCIALI S.p.A.  
Strada Cerca, 2 - frazione di Zoate  
20067 TRIBIANO (MI)  
Tel. (+39) 02-90.69.91  
Fax (+39) 02-90.64.625  
ITALIA